

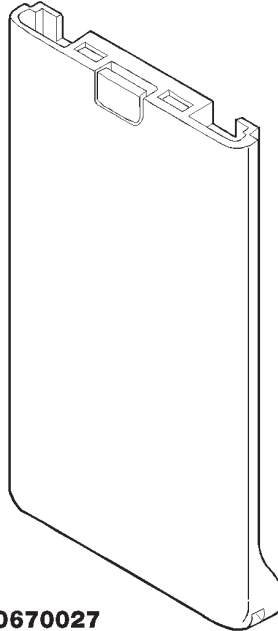
## Contents of Accessories

Handportable Accessories	18-2
Battery Pack BBH-1S/BBH-2S	18-2
Battery Pack BBH-1H/BBH-2H	18-2
Battery Pack BBH-1XV (only with NHE-4 and NHK-4)	18-3
Fast Travel Charger ACP-3	18-3
AC Fast Travel Charger ACH-4E	18-4
AC Fast Travel Charger ACH-4X	18-4
AC Fast Travel Charger ACH-4U	18-4
AC Fast Travel Charger ACH-4A	18-5
AC Power Supply ACS-6E	18-5
AC Power Supply ACS-6U	18-5
AC Power Supply ACS-6X	18-6
Carry Strap SWH-1	18-6
Car Kit Accessories	18-7
Mobile Holder MBH-6	18-7
Assembly Parts of MBH-6	18-8
Mounting Plate MKE-1	18-8
Assembly Parts of MKE-1	18-8
Swivel HHS-1	18-9
Assembly Parts of HHS-1	18-9
Power Cable PCH-4	18-10
HF Microphone HFM-4	18-10
HF Speaker HFS-6	18-11
Power Cable LCP-2	18-11
Data Accessories	18-12
Data Cable DKH-2	18-12
Data Cable DKH-3	18-12
Data Cable DKH-4	18-13
Data Cable DKH-7	18-13
Data Cable DKH-8	18-14

## Handportable Accessories

### Battery Pack BBH-1S/BBH-2S

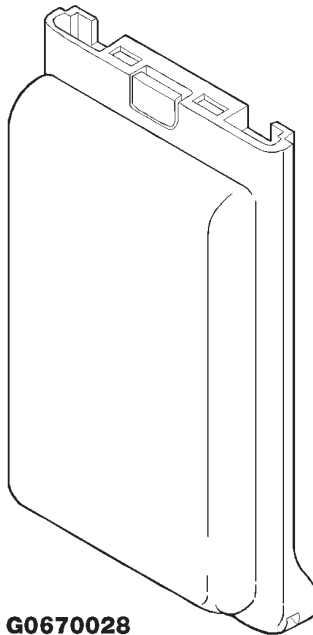
Product codes: 0670027/0670029



**G0670027**

### Battery Pack BBH-1H/BBH-2H

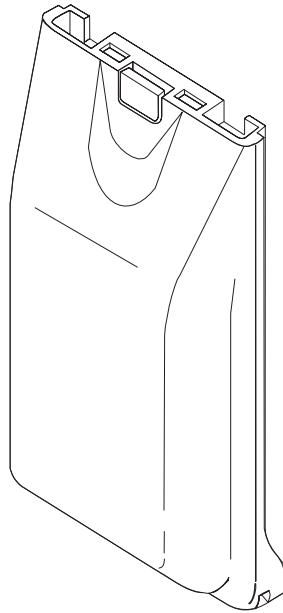
Product codes: 0670028/0670030



**G0670028**

## Battery Pack BBH-1XV (Vibra option only with NHE-4 and NHK-4)

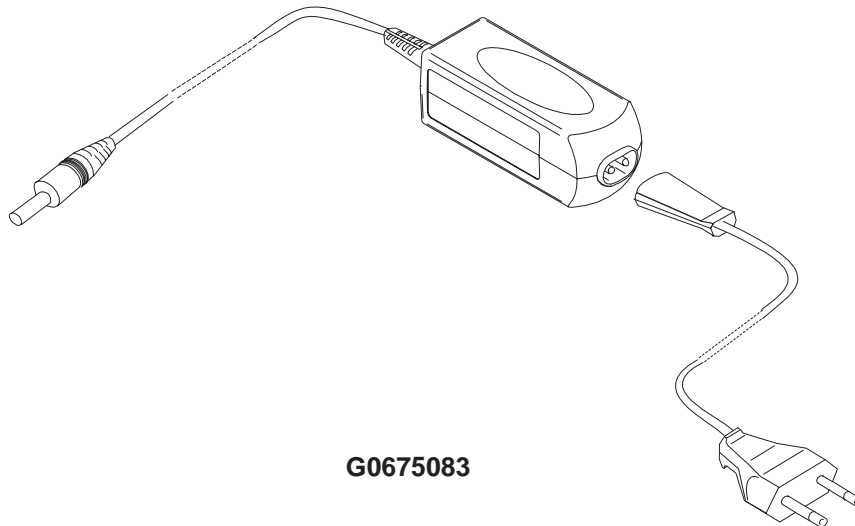
Product code: 0670119



G0670119

## Fast Travel Charger ACP-3

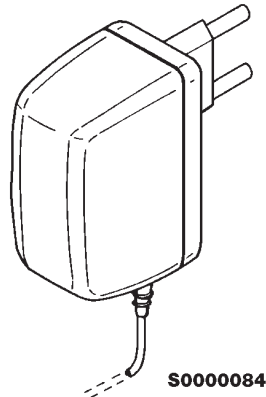
Product code: 0675083



G0675083

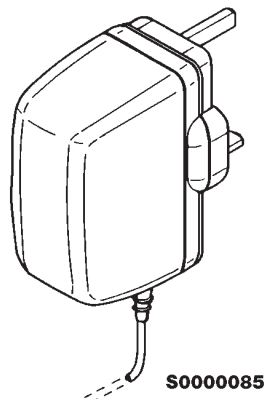
## AC Fast Travel Charger ACH-4E

Product code: 0675008



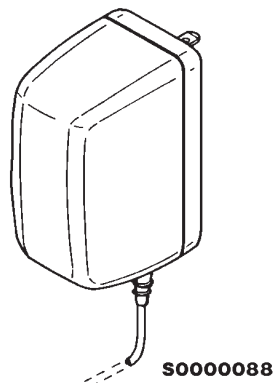
## AC Fast Travel Charger ACH-4X

Product code: 0675009



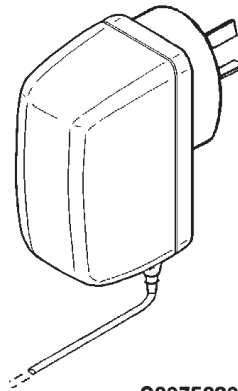
## AC Fast Travel Charger ACH-4U

Product code: 0675012



## AC Fast Travel Charger ACH-4A

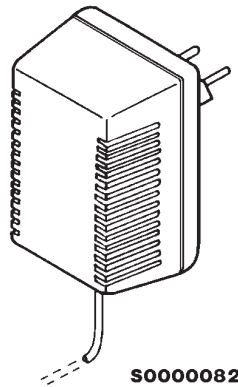
Product code: 0675036



G0675036

## AC Power Supply ACS-6E

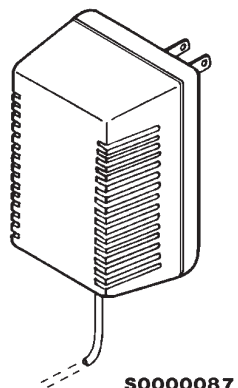
Product code: 0680016



S0000082

## AC Power Supply ACS-6U

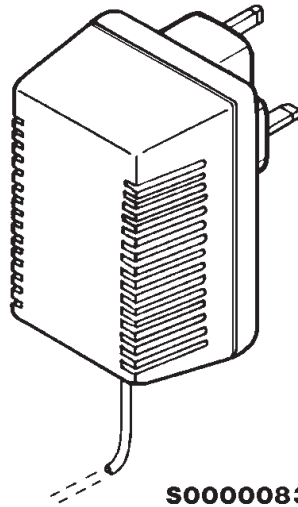
Product code: 0680018



S0000087

## AC Power Supply ACS-6X

Product code: 0680019



## Carry Strap SWH-1

Product code: 0720005

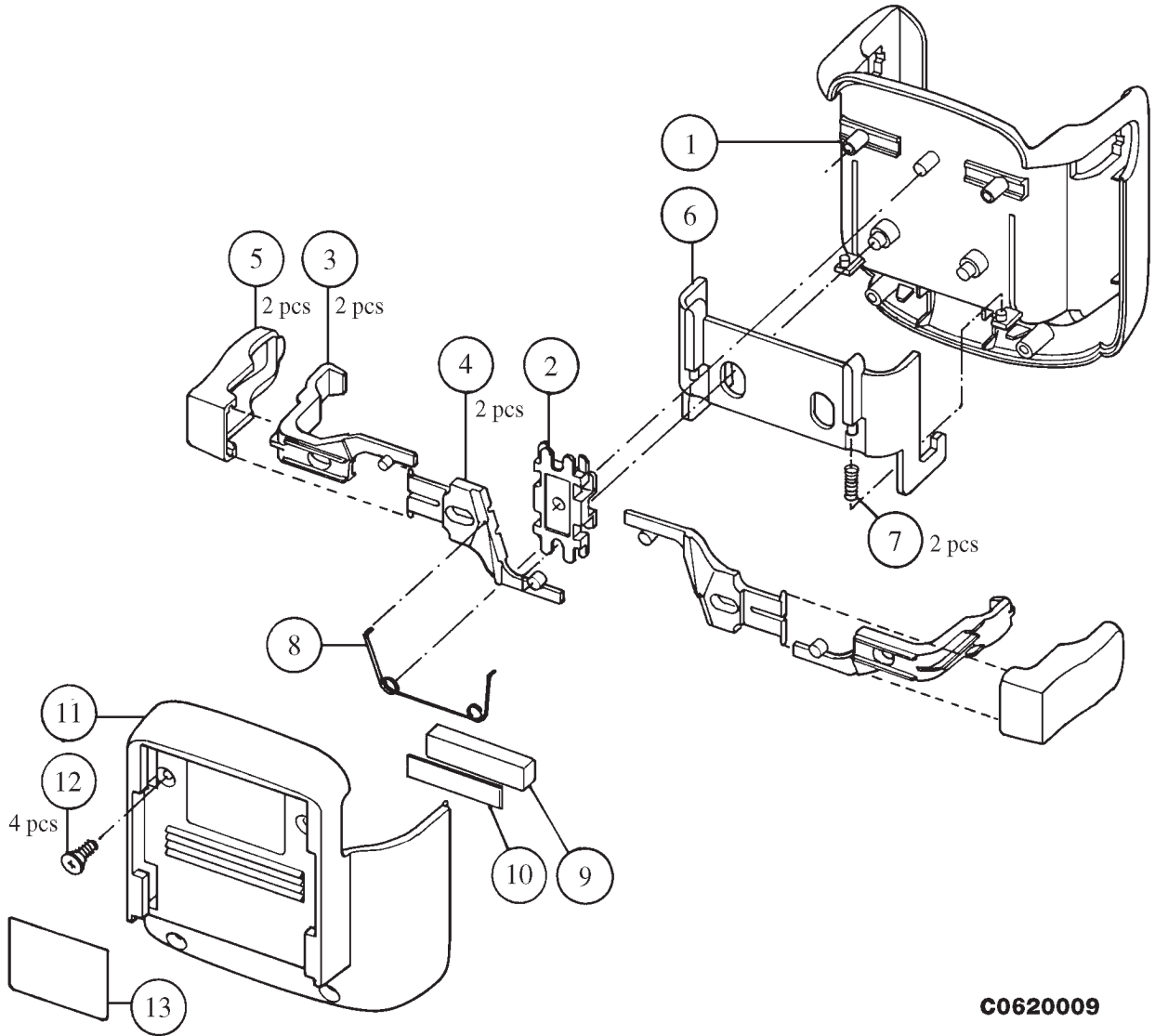


S0720005

## Car Kit Accessories

### Mobile Holder MBH-6

Product code: 0620009



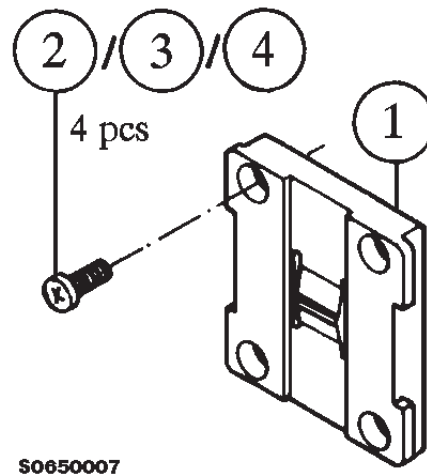
C0620009

## Assembly Parts of MBH-6

ITEM	Q'TY	CODE	DESCRIPTION	VALUE, TYPE
1		9450277	Front cover	1D 23224
2		9460094	Synchro element	1D 23119
3	2	9460093	Locking knob	1D 23118
4	2	9460095	Release slide	2D 23357
5	2	9450278	Release button	1D 23117
6		9460097	Pushing slide	1D 23120
7	2	9560012	Slide spring	4D 23359
8		9560013	Spring	4D 23226
9		6490220	Magnet	4D 21413
10		7313054	Magnet pad	4D 21422
11		9450276	Bottom cover	1D 23225
12	4	6293010	PT screw	KB22x8 FeZn blk
13		9380154	Type label	4D 23467

## Mounting Plate MKE-1

Product code: 0650007



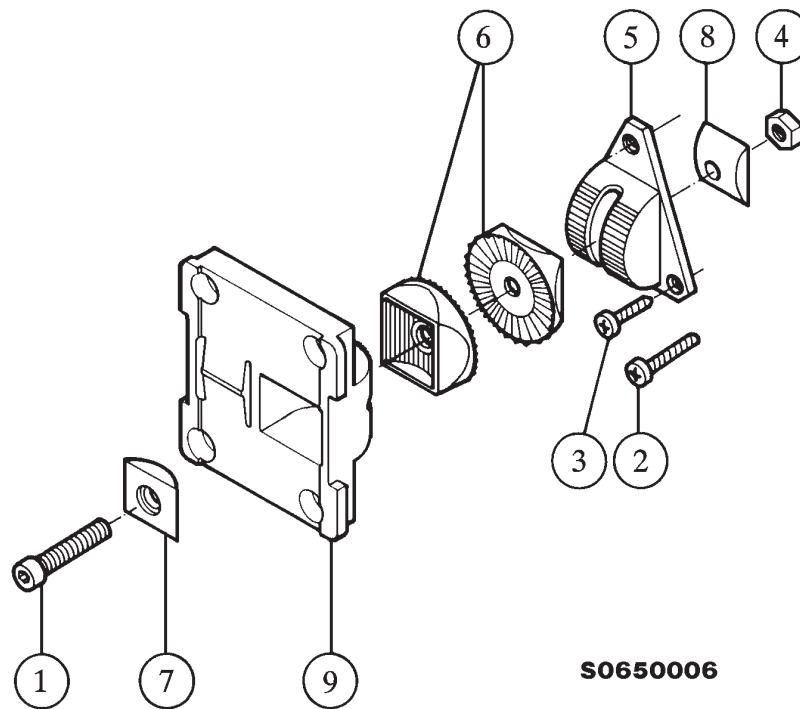
## Assembly Parts of MKE-1

ITEM	Q'TY	CODE	DESCRIPTION	VALUE, TYPE
1		9460016	Cradle adapter CRE-1	3D 21416
2	4	6270405	Screw 3.5 x 16	DIN7981 FeZn black
3	4	6150330	Screw M3 x 8	DIN7985 FeZn black
4	4	6292279	Screw KB30 x 10	WN1442 FeZn blue



## Swivel HHS-1

Product code: 0650006

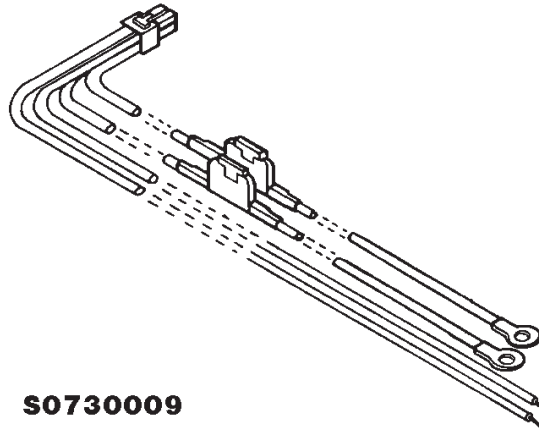


### Assembly Parts of HHS-1

ITEM	Q'TY	CODE	DESCRIPTION	VALUE, TYPE
1		6190460	Screw M3 x 20	DIN912 FeZn 8.8 yellow
2		6270405	Screw 3.5 x 16	DIN7981 FeZn black
3		6292279	PT screw KB30 x 10	WN1442 FeZn black
4		6310601	Nut M5	DIS934 FeZn yellow
5		9302119	Joint support	3D 20097
6	2	9302126	Joint part	3D 20098
7		9310261	Support bracket of screw	4D 20439
8		9310279	Support of nut	4D 20440
9		9450036	Cradle holder	2D 21419

## Power Cable PCH-4

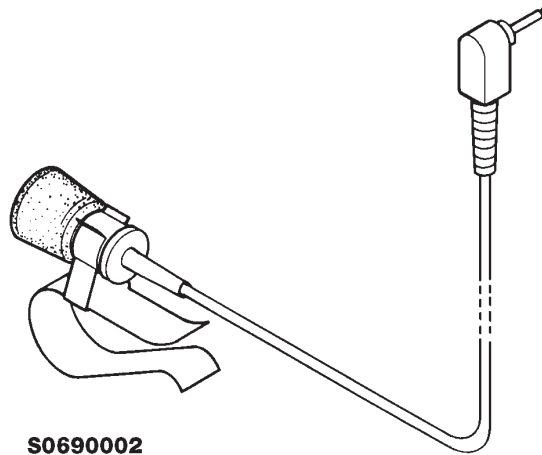
Product code: 0730009



**S0730009**

## HF Microphone HFM-4

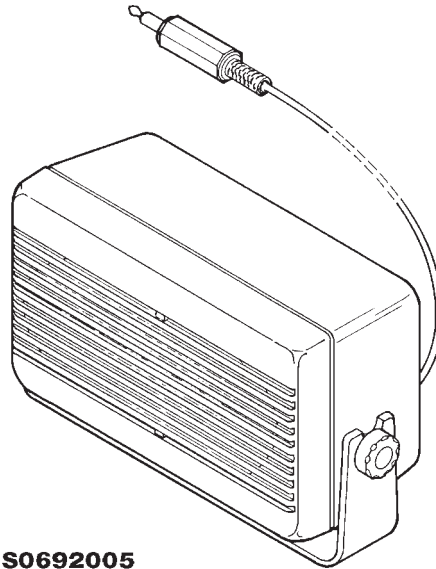
Product code: 0690002



**S0690002**

## HF Speaker HFS-6

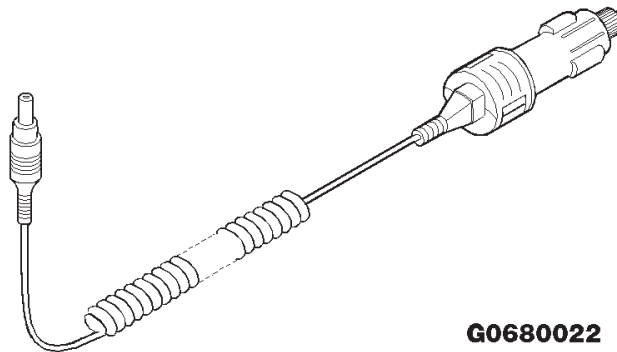
Product code: 0692005



**S0692005**

## Power Cable LCP-2

Product code: 0680022

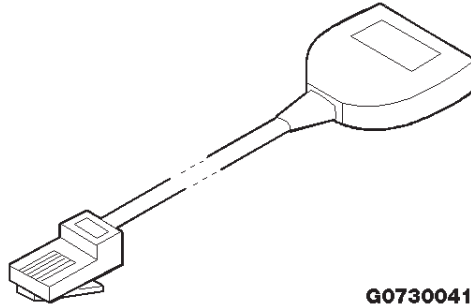


**G0680022**

## Data Accessories

### Data Cable DKH-2

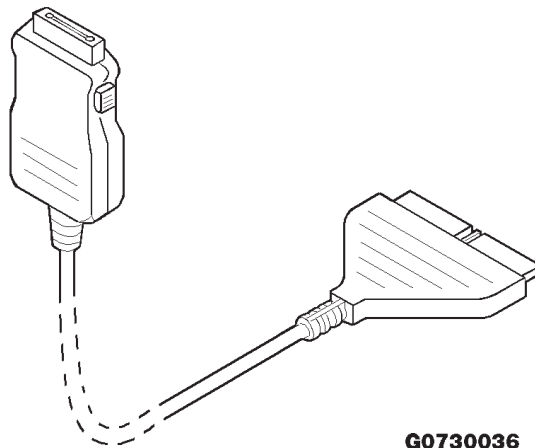
Product code: 0730041



**G0730041**

### Data Cable DKH-3

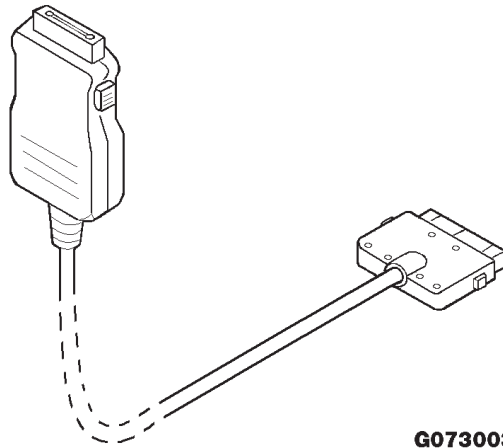
Product code: 0730036



**G0730036**

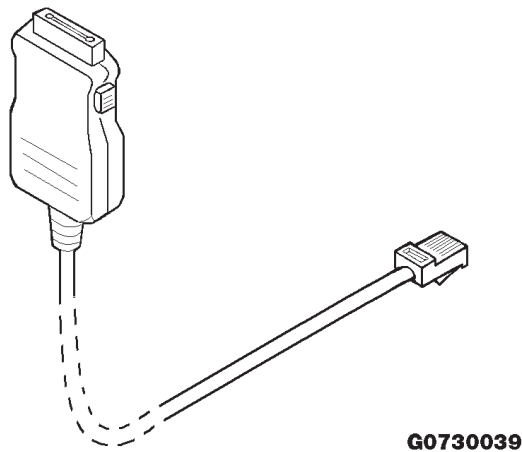
## Data Cable DKH-4

Product code: 0730037



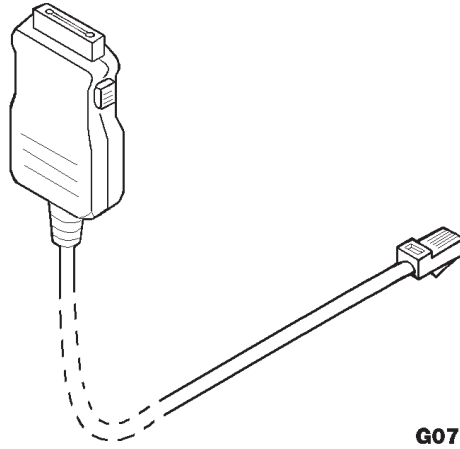
## Data Cable DKH-7

Product code: 0730039



## Data Cable DKH-8

Product code: 0730040



**G0730040**



This page intentionally left blank.